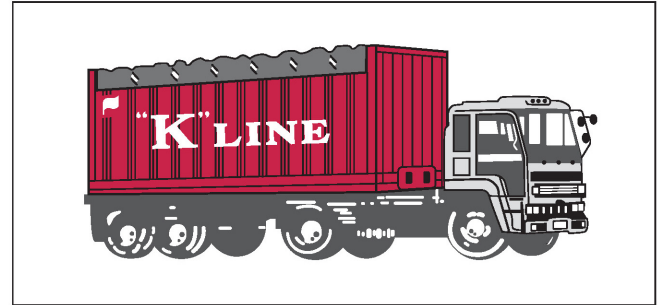
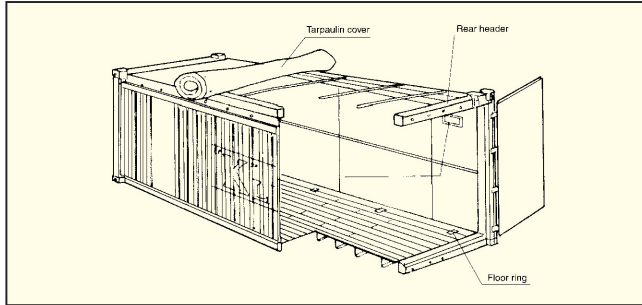


20' Open Top Containers



Height	Material	Tare Weight (kg/1bs)	Max* Cargo Cap. (kg/1bs)	Door Opening		Interior Dimensions			Interior Cube (m ³ /cft)
				Width (mm/ft)	Height (mm/ft)	Length (mm/ft)	Width (mm/ft)	Height (mm/ft)	
8' - 6"	Steel	2,450 5,401	21,550 47,510	2,338 7' 8"	2,234 7' 4"	5,891 19' 4"	2,350 7' 9"	2,330 7' 8"	32.2 1,137

Remarks * : Subject to road and rail weight limitations.
 : Above are typical figures for this type of containers.